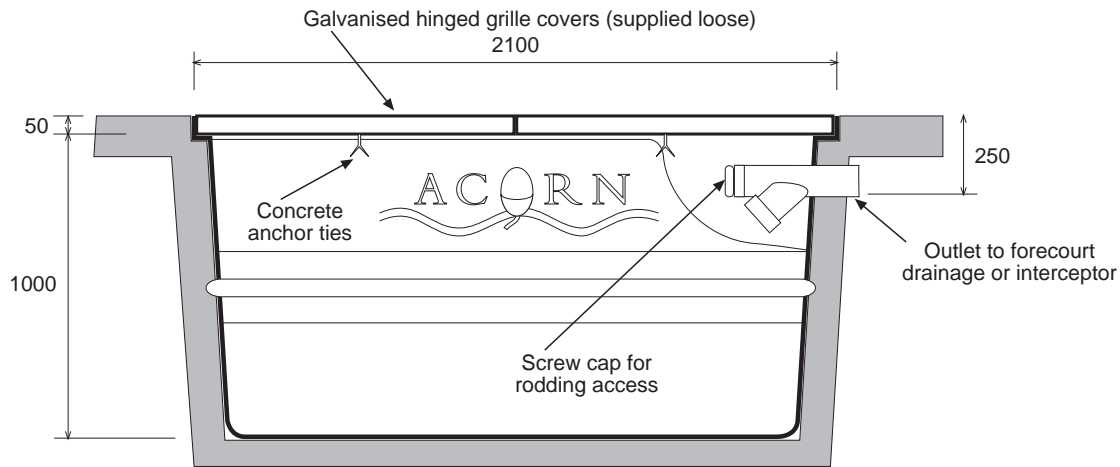
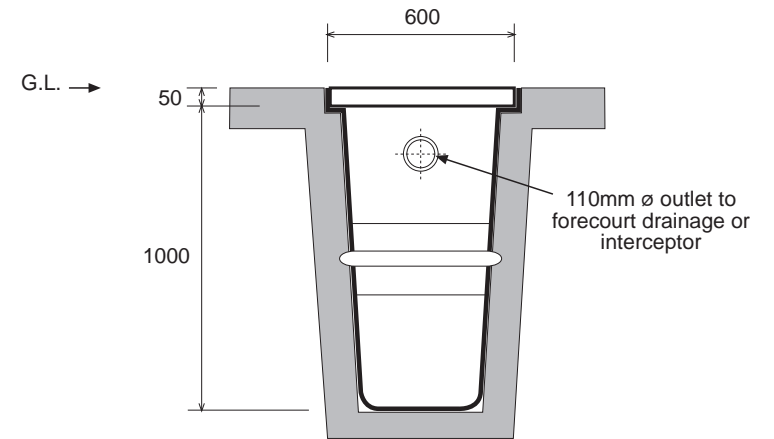


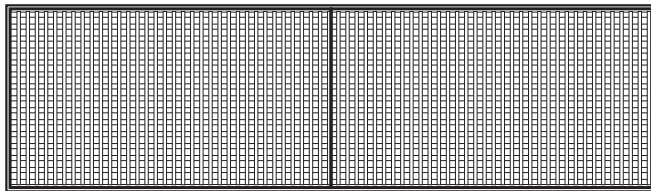
Not to scale



Side elevation

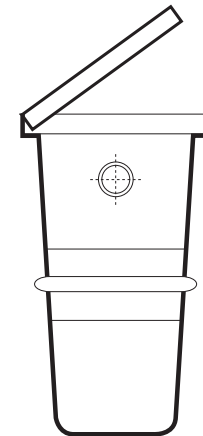


End elevation



Plan

Refer to installation guide



Acorn Environmental Systems Ltd,
Somerset Bridge, Bridgwater,
Somerset. TA6 6LL
Tel: 01278 439325
Fax: 01278 439324
E-mail: sales@acornsystems.com
Web: www.acornsystems.com

Drawing Title:

Acorn Silt trap

Revision Details:

A	Nov 2004

Drawing No.

GA99-120a

Date:

November 1999

Drawn by: Artwork

All dimensions are in mm

Scale: NTS