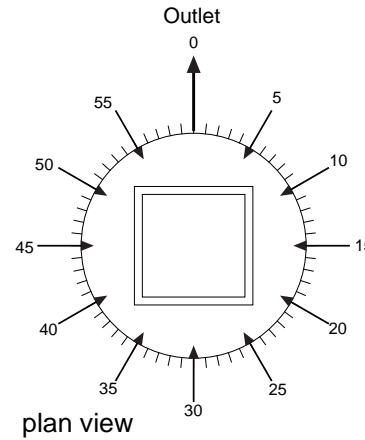
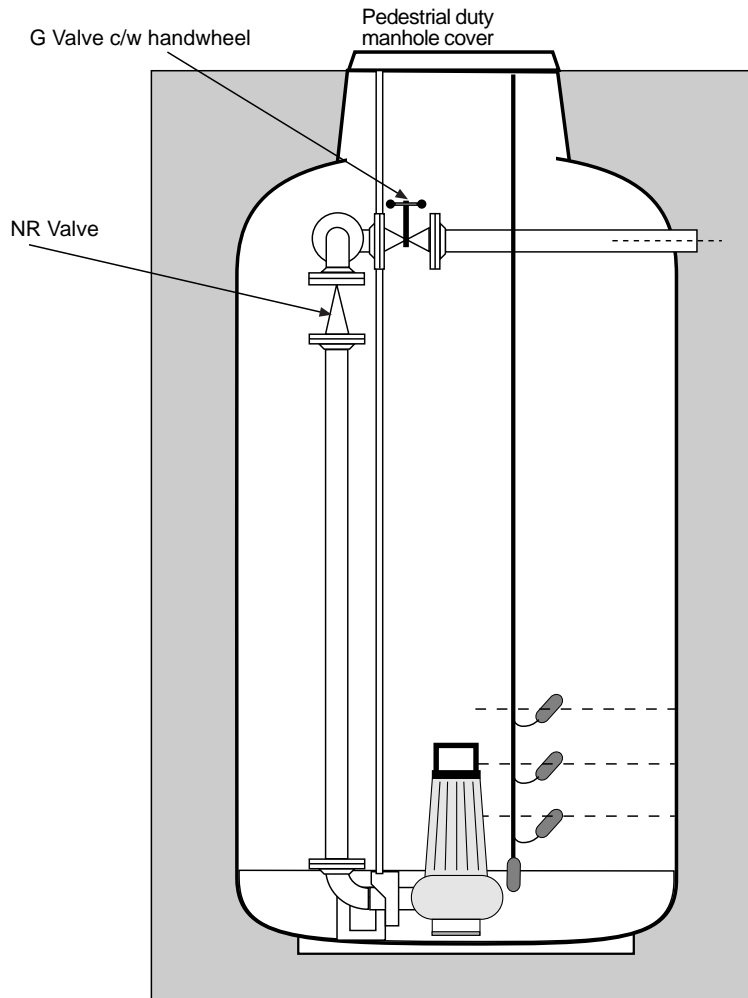


Not to scale



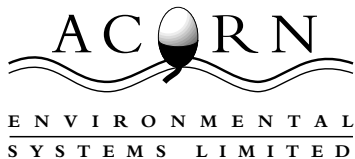
Inlet positions

Use the clockface metaphor to give inlet positions relative to the outlet position. Take the outlet position as 12 O'clock, and specify position of inlets by means of minutes past the hour

ITEM	SIZE Ø mm	DEPTH invert mm	POSITION minutes past	Notes
Inlet 1				
Inlet 2				
Inlet 3				
Inlet 4				
Cable entry				
Outlet			0	

Sump diameter
Sump depth
Horizontal distance
Static head

Quote ref / Contract No:



Acorn Environmental Systems Ltd,
Somerset Bridge, Bridgwater,
Somerset. TA6 6LL
Tel: 01278 439325
Fax: 01278 439324
E-mail: sales@acornsystems.com
Web: www.acornsystems.com

Drawing Title:

Pump Station
(Single pump)

Revision Details:

Drawing No.

GA03-123

Date:

June 2003

Drawn by: Artwork

All dimensions are in mm

Scale: NTS