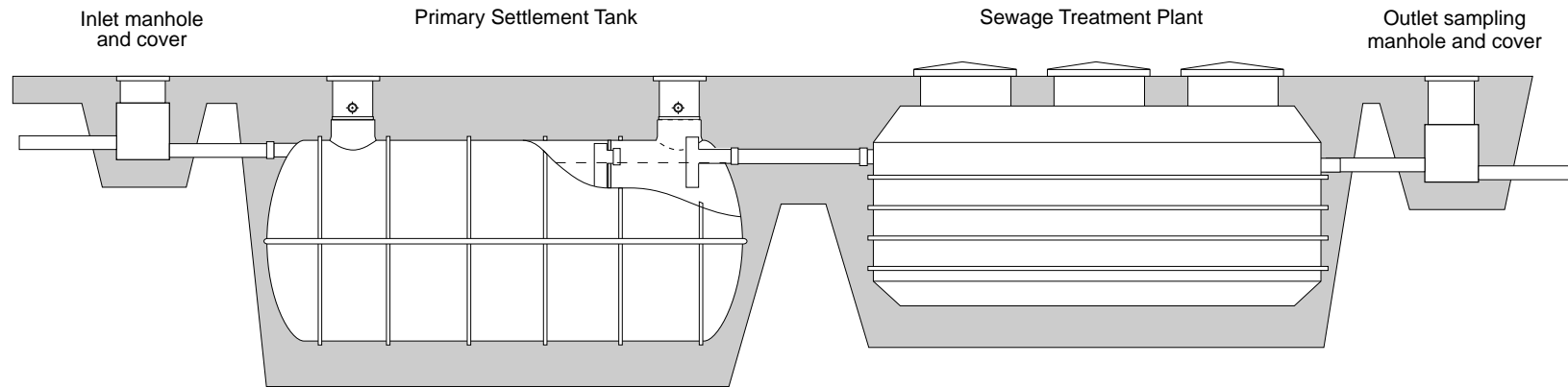
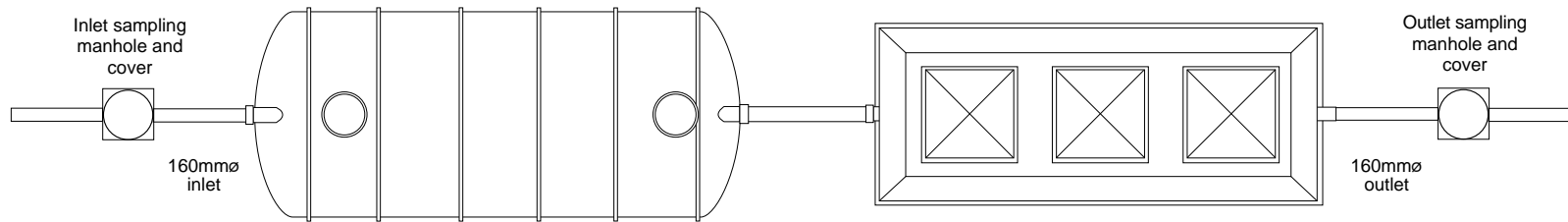


Not to scale

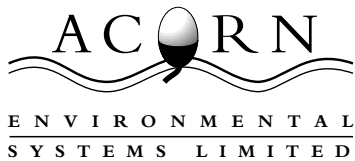


Side elevation



Plan

Pop	PST 2.5m dia length	STP 2.3m wide length
80	4.5	4.0
100	5.0	5.0
120	6.0	6.0
140	6.75	6.95
160	7.5	7.8



Acorn Environmental Systems Ltd,
Somerset Bridge, Bridgwater,
Somerset, TA6 6LL
Tel: 01278 439325
Fax: 01278 439324
E-mail: sales@acornsystems.com
Web: www.acornsystems.com

Drawing Title:

**PLATINUM 2000 SERIES
100 - 350 Population
schematic**

All dimensions are in mm

Scale:

Revision Details:

a	Addition of table

Drawing No.

A1-350S/a

Date:

May 2003

Drawn by: Artwork