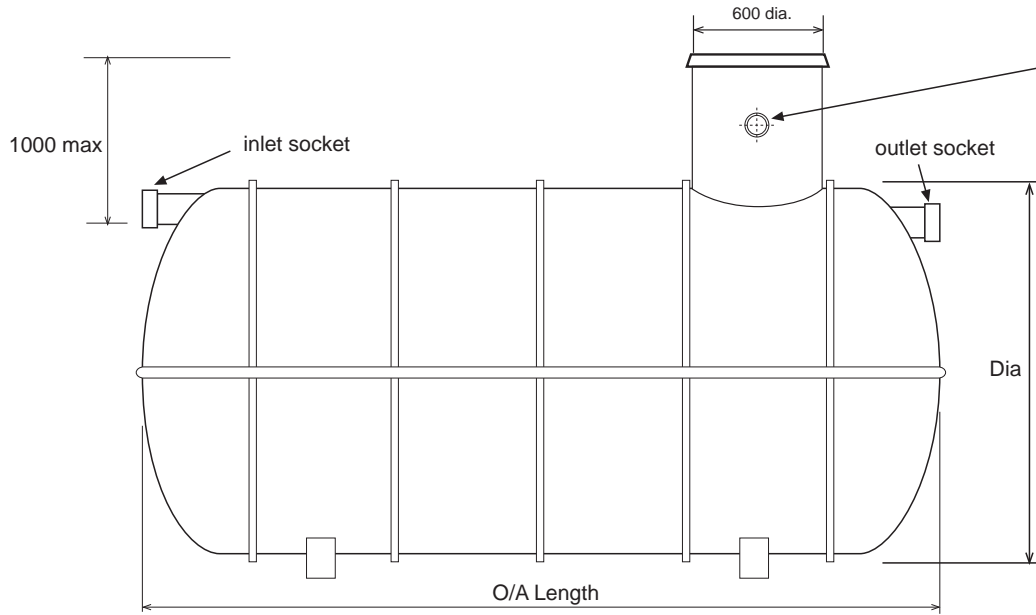
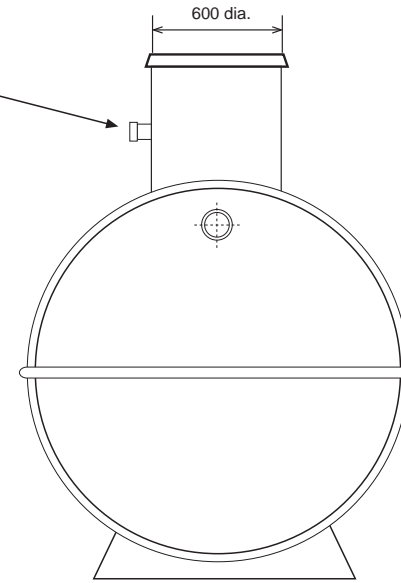


Not to scale



Side elevation



End elevation

Model No.	Nominal Flow size (NS)	Area drained (m ²)	Gross capacity	Silt capacity	O/A length (mm)	Dia (mm)
NS4/1	4	222	1560	400	2350	1000
NS6/1	6	333	2330	600	3250	1000
NS8/1	8	444	3100	800	3200	1200
NS10/1	10	556	3880	1000	3750	1200
NS15/1	15	833	5820	1500	3000	1850
NS20/1	20	1111	7755	2000	3750	1850
NS25/1	25	1389	9695	2500	4750	1850
NS30/1	30	1667	11635	3000	5300	1850
NS35/1	35	1944	13570	3500	6050	1850
NS40/1	40	2222	15510	4000	4400	2500*
NS45/1	45	2500	17450	4500	4760	2500*
NS50/1	50	2778	19390	5000	5160	2500*
NS55/1	55	3056	21330	5500	5544	2500*
NS60/1	60	3333	23270	6000	6000	2500*
NS70/1	70	3889	27150	7000	6550	2500*
NS80/1	80	4444	26400	8000	7760	2500*
NS100/1	100	5556	38780	10000	9200	2500*

Refer to installation guide

* No feet on tank



Acorn Environmental Systems Ltd,
Somerset Bridge, Bridgwater,
Somerset. TA6 6LL
Tel: 01278 439325
Fax: 01278 439324
E-mail: sales@acornsystems.com
Web: www.acornsystems.com

Drawing Title:

Full Retention Separator

Revision Details:

A	Net capacities added
B	Dimension changes
C	Dimension changes
D	Dimension changes

Drawing No.

GA03-129D

Date:

October2003

All dimensions are in mm

Scale: NTS

Drawn by: Artwork